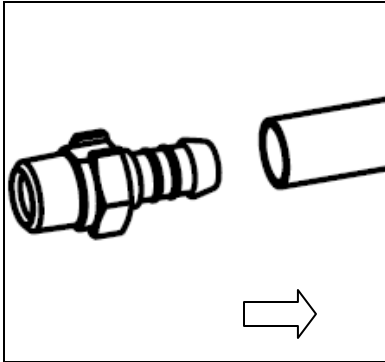


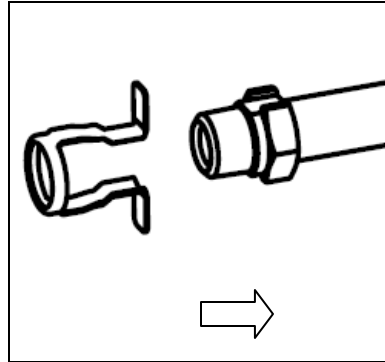
Installation Instructions



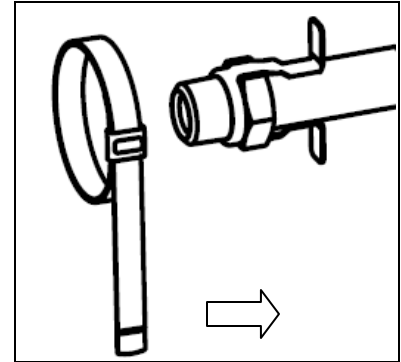
Tri-Lokt Hose Nipples 1/2"-1"



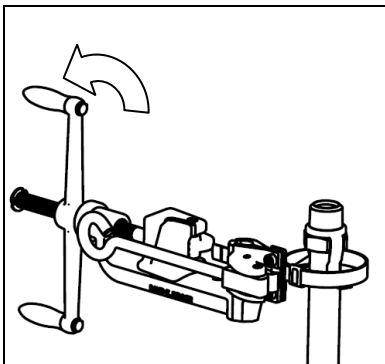
1. Put Band-It Tri-Lokt Hose Nipple in vise and push the hose onto the nipple.



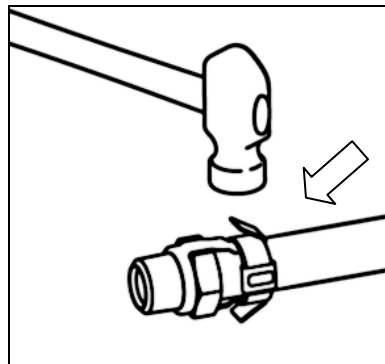
2. Place the yoke on the nipple. Make sure the yoke tie-ends fit into the slots on the nipple hex, and the yoke is firmly seated on shoulder.



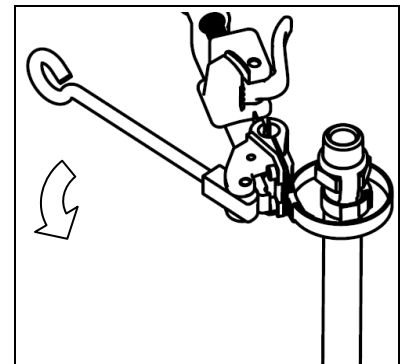
3. Place the proper size clamp* over the entire assembly snug against the flared tie-ends. Yoke recess automatically positions the clamp.



4. Using a vise for stability, tighten clamp with the Band-It C00269 Junior Hand Tool.



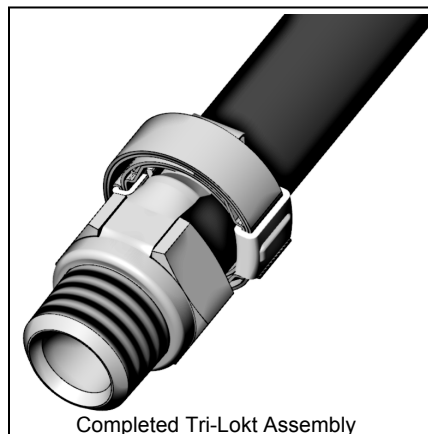
5. Hammer ends of yoke back flat over the first Band-It clamp.



6. Position the second clamp so the buckle of each clamp is opposite of the other, but not over a yoke leg. Tighten and complete the second clamp.

CAUTION:

When selecting and applying this product, adhere to all recommendations made by BAND-IT and the hose manufacturer. Improper clamp tension can result in fitting slipping out of hose when pressurized, or hose damage resulting in leaks. All hose assemblies must be periodically inspected and replaced at the first sign of deterioration to avoid these safety hazards.



*Band-It Jr. Smooth ID stainless steel clamps are recommended for maximum radial compression.